

# Wafer Type Swing Check Valves

Válvula de retención de columpio tipo wafer

Model: CKSWWF

Rating: 150



## Standard:

- Design & manufactured in accordance with DIN 3202 part 3.
- Inspection & testing according to API 598.
- PED 97/23/EC; ISO 9001.

## Design feature:

- Applications for marine, petrochemical, chemical, pharmaceutical, air-conditioning, ventilation plants, fire protection systems.
- This wafer type swing check valves are designed to be sandwiched between flanges, reduced length dimensions and weights.
- The valve is lighter, smaller and therefore less expensive both to install and to maintain than conventional check valve.
- Easy installing & maintaining.
- Full port, very low pressure drops.
- DIN 50049-3.1 certificate available.

## Specifications:

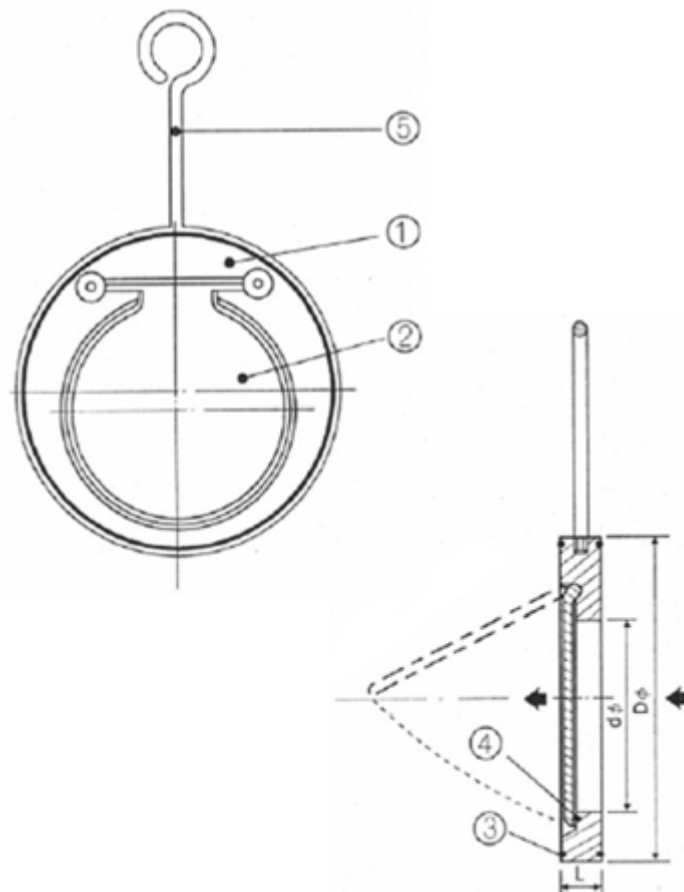
- Flow bore: Reduce port.
- Suitable for installation between DIN flanges PN10, 16: ANSI Class 150: JIS 10K.
- Materials: Carbon steel / SS304 / SS316
- Size range: 1/2"~26"

## Fluid specification:

Body & Disc	SS304 / SS316	SS304 / SS316	SS304 / SS316
Seat	NBR	VITON	PTFE
Fluid	Air, Oil, Water & other	Air, Oil, Hot Water & other	Air, Oil, Steam & other
Working pressure Kg/cm <sup>2</sup>	14	12	12
Fluid temp max. °C	-20°C to +80°C	-15°C to +250°C	-10°C to +200°C

## Materials list:

No	Part name	Material
1	Body	Carbon steel / SS304 / SS316
2	Disc	Carbon steel / SS304 / SS316
3	Body seal	NBR, VITON, PTFE, Metal
4	Clapper seat	NBR, VITON, PTFE, Metal
5	O-bolt	SUS 304



## Dimensions list:

Size	1/2"	3/4"	1"	1-1/4"	1-1/2"	2"	2-1/2"	3"	4"	5"	6"	8"	10"	12"	14"	16"	18"	20"	22"	24"	26"
d	8	9	12	16	21	30	42	50	72	93	113	142	190	211	260	306	358	408	450	485	520
D	55	60	70	80	85	104	124	134	155	190	220	270	325	370	415	475	530	580	640	690	745
L	14	14	14	14	14	14	14	14	18	18	20	27	29	35	38	45	55	65	70	70	70