

Standard 2-Piece Full Port Ball Valves Carbon Steel

Válvula de bola de 2 piezas de paso completo conexión roscada en acero al carbón

Model: BV2PCSNPT

Rating: 1000 psi (PN64)



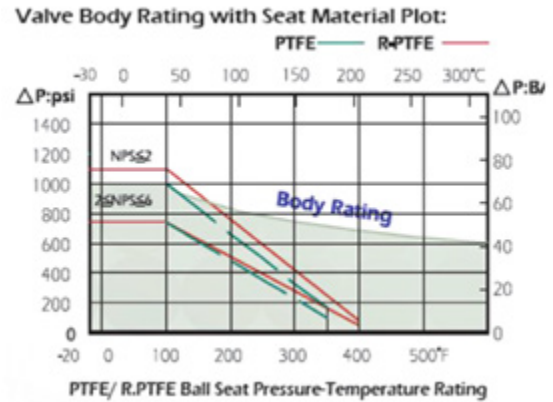
Ball Valve Feature 2-Piece Design

Series 21 ball valves offers rugged, dependable, and economical flow control for hydraulic, chemical, steam, and oil/ gas uses. To achieve such diverse requirements. provided several features to meet customer’s need: valve body design. stem, and sealing. For Series 21 ball valves, full port and standard port are available.

The standard blowout-proof stem design gives a safer valve use environment when undergo unexpected events. Instead of insert the stem from the top, it is inserted from inside of the bore to prevent stem shooting out during accidents. Also, the double-D shape stem design provides the easiness of lever mounting. The self-adjusting stem and packing assembly automatically adjusts with valve changes caused by thermal effects.

provides solutions for valve sealing. All of our Series 21 valves are equipped with thrust washer and gland nuts to achieve almost no-leak quality. The thrust washer not only prevents galling between stem and body, it can be considered as a secondary stem seal and reduces torque. In addition, the gland nuts are sealed tightly to act as an additional third guard to stop leakage. Series 21 ball valves are accompanied with a wide range of seat materials to choose, as well as investment valve body cast with retraceable furnace number for future references.

Valve Body Rating with Seat Material Plot:



Blowout-Proof Design

The stem is installed from the bottom-entry direction instead of top-bottom. This prevents stem to shoot out during unexpected accident, and further provides a safer valve using environment This design is widely used in ball valves.

Pressure Rating

Full Port:

- 1000 psi (PN64) WOG.
- 150 psi (10 bar) with saturated steam.

Standard Port:

- 2000 psi WOG for 1/4" - 1".
- 1500 psi WOG for 1-1/4" - 2".
- 150 psi with saturated steam.

Temperature Range:

-20°F to 400°F (-28°C to 204°C) with PTFE/RPTFE

End Connection:

Female pipe thread that meets NPT, DIN 259/2999. and BS21 regulations. For butt-welding, socket-welding, and other end connection options, please contact with our sales representatives.



The whole series of ball valves are approved according to European Directive 97/23/EC

Body Material:

ASTM WCB (DIN 1.4408, 1.4308, 1.06191)

Size Range:

Full Port 1/4" - 3" (DNB DN80) Standard Port 1/4" - 2" (DNB DN50)

Standards and Specifications:

Female Thread end-to-end length meets NPT. DIN 259/2999, and BS21 regulations Valve body and end cap connections are high quality investment cast Stainless steel can be special processed with anneal, and carbon steel can be normalized, both are upon request Other valve components, such as valve body, end cap, and stem, are produced to follow the ASME and other international regulations. All the valves are factory tested to meet API and MSS standards to ensure the quality of the valves.

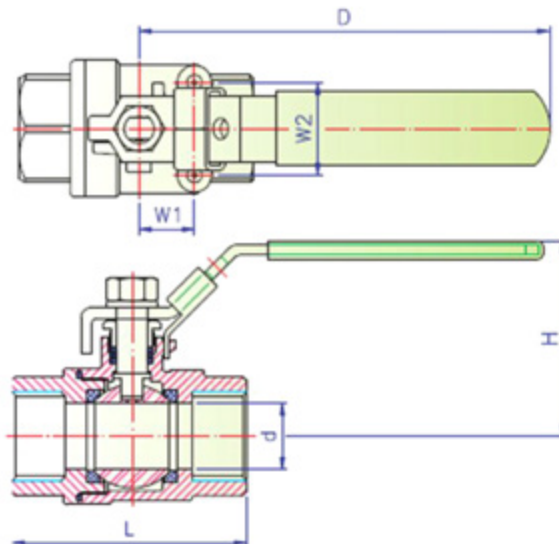
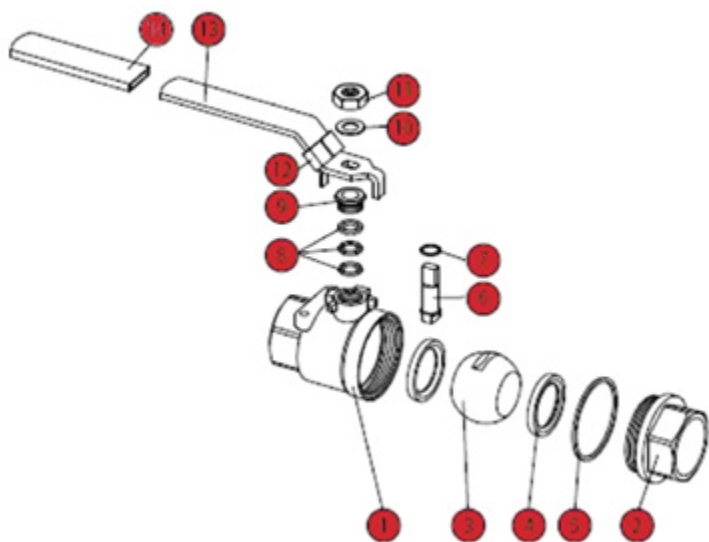
Materials list:

| No | Parts name | Materials |
|----|----------------|------------------|
| 1 | Body | CF8M / CF8 / WCB |
| 2 | End cap | CF8M / CF8 / WCB |
| 3 | Solid ball | CF8M |
| 4 | Ball seat | PTFE |
| 5 | Body seal | PTFE |
| 6 | Stem | SS316 |
| 7 | Thrust | PTFE |
| 8 | Stem packing | Viton |
| 9 | Gland nut | SS304 |
| 10 | Washer | SS304 |
| 11 | Handle nut | SS304 |
| 12 | Locking device | SS304 |
| 13 | Handle | SS304 |

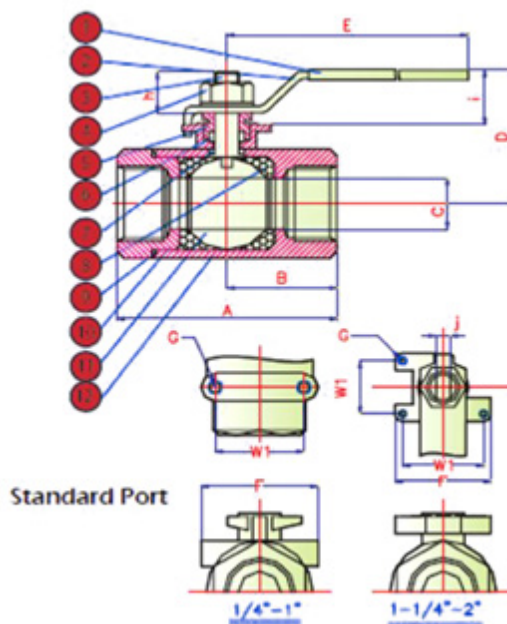
Dimensions full port:

| Size Inch | d | L | H | D | W1 | W2 | Cv |
|-----------|------|------|------|------|------|------|------|
| 1/4" | 0.45 | 2.14 | 1.9 | 3.83 | 0.5 | 1.1 | 8 |
| 3/8" | 0.49 | 2.14 | 1.9 | 3.83 | 0.5 | 1.1 | 10 |
| 1/2" | 0.6 | 2.57 | 2.3 | 4.84 | 0.5 | 1.1 | 13 |
| 3/4" | 0.8 | 3.04 | 2.46 | 4.84 | 0.9 | 1.37 | 50 |
| 1" | 1 | 3.5 | 2.7 | 5.7 | 0.9 | 1.37 | 93 |
| 1-1/4" | 1.26 | 4.03 | 3.05 | 5.7 | 1 | 1.5 | 170 |
| 1-1/2" | 1.5 | 4.3 | 3.5 | 7.44 | 1 | 1.5 | 250 |
| 2" | 2 | 4.9 | 3.85 | 7.44 | 1 | 1.5 | 450 |
| 2-1/2" | 2.56 | 6.5 | 5.2 | 10 | 1.37 | 2.16 | 750 |
| 3" | 3.15 | 7.5 | 5.82 | 10.3 | 1.37 | 2.16 | 1300 |

Series 21 2pc Ball Valve



| Size Inch | A | B | C | D | E | F | G | H | I | J | W1 | CV |
|-----------|------|------|------|-----|------|------|----|------|------|------|------|-----|
| 1/4" | 2.14 | 1.02 | 0.5 | 2 | 3.94 | 1.53 | W3 | 0.43 | 1.37 | 0.2 | 1.1 | 8 |
| 3/8" | 2.14 | 1.02 | 0.5 | 2 | 3.94 | 1.53 | W3 | 0.43 | 1.37 | 0.2 | 1.1 | 10 |
| 1/2" | 2.57 | 1.14 | 0.5 | 2 | 3.94 | 1.53 | W3 | 0.43 | 1.37 | 0.2 | 1.1 | 13 |
| 3/4" | 3.04 | 1.5 | 0.7 | 2.4 | 4.84 | 1.81 | W3 | 0.47 | 1.65 | 0.24 | 1.37 | 50 |
| 1" | 3.5 | 1.6 | 0.87 | 2.6 | 4.84 | 1.81 | W3 | 0.47 | 1.65 | 0.24 | 1.37 | 93 |
| 1-1/4" | 4 | 2.02 | 1 | 3.3 | 5.67 | 1.96 | W1 | 0.78 | 1.57 | 0.36 | 1.4 | 170 |
| 1-1/2" | 4.3 | 2.2 | 1.26 | 3.5 | 5.67 | 1.96 | W1 | 0.78 | 1.65 | 0.36 | 1.4 | 250 |
| 2" | 4.9 | 2.67 | 1.5 | 3.7 | 7.08 | 1.96 | W1 | 0.78 | 1.57 | 0.36 | 1.4 | 450 |



Optional accessories:

Oval handle:

Offers oval handle for series 21 ball valves. The oval handles are used where the standard hand levers could be opened or closed by accident. The oval handle also allows user to identify the valve position. Lastly, it also slows down the valve close speed, which decrease the chances of water hammer on liquid.

Locking devices:

The valve handle come with the locking device originally. By lifting the lock the valve handle is free to move, also offers extra key lock, in which the original locking devices will be kept in locking/unlocking position securely to prevent unexpected accident.