

# Split Body Flange Stainless Steel End Ball Valve

Válvula de bola 2 piezas Bridada en acero inoxidable  
con cama de montaje ISO

Model: BV2PSSISOFLG

Rating: Class 150/300



## Standard:

- Basic Design to ANSI B16.34.
- Flange Dimension to ANSI B16.5 Class 150.
- Face-to-face meets to ANSI B16.10 Class 150.
- Inspection & testing according to API 598.
- API 607 5<sup>th</sup> Edition Fire-Safe Test approved.
- PED 97/23/EC; ISO 9001.

## Design feature:

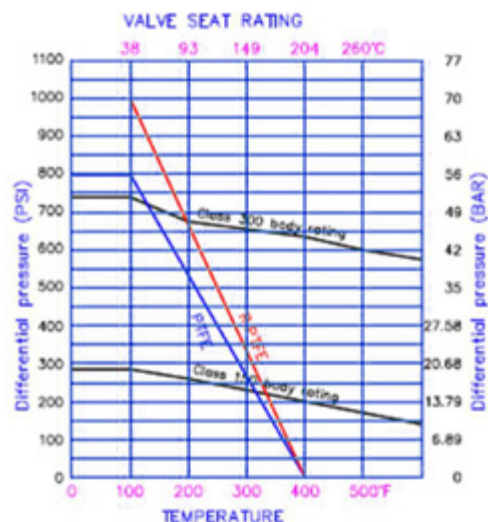
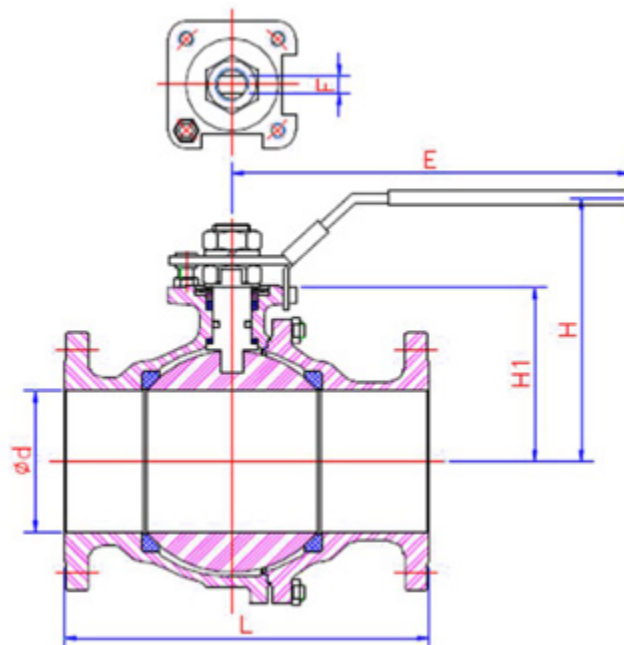
- With ISO 5211 Mounting pad and center ring, pre-drilled metric thread for easy automation.
- Design to be fire-safe to minimize both external and internal fluid leakage after plant fires.
- Metal-to-metal Fire-safe seat design, API 607 Fire-safe approved.
- Self Adjusting stem packing assembly with Belleville spring for temperature fluctuations, vibration, and is secured.
- Double D stem head design provides mounting of the lever.
- Bottom entry Blow-out proof stem & antistatic device design provides maximum safety.
- Wide range of seat & seal materials is available.
- Investment cast body construction.
- DIN EN10204-3.1 Certificate available.

## Specifications:

- Construction: bolted body side-entry floating ball design.
- Flow bore: full port.
- Rating: ANSI Class 150;  
150 PSI Saturated steam.
- Temperature: -20°F~400°F (PTFE/R.PTFE).
- Materials: ASTM CF8M.
- Size range: 1/2"~4".

## Dimensions List

Size	D	L	H	E	F	ISO 5211	Torque (N-LB)	Cv
1/2	15	108	89.9	150	6.3	F04	88	30
3/4	20	117.6	98.6	150	6.3	F04	106	50
1	25	127	108	180	8	F05	132	100
1-1/4	32	139.7	117.4	180	8	F05	256	180
1-1/2	40	165.1	127	210	9.5	F07	354	250
2	50	177.8	152.4	210	9.5	F07	424	480
2-1/2	65	190.5	177.8	260	17	F07	585	750
3	76	203.2	190.5	260	17	F10	982	1300
4	97	228.6	228.6	310	17	F10	1239	2400



**Standar Type Materials List:**

No	Part name	Material
*1	Body	CF8M / CF8 / WCB
*2	End cap	CF8M / CF8 / WCB
*3	Solid ball	CF8M
4	Ball seat	15%GF + PTFE
5	Body seal	15%GF + PTFE
*6	Stem	SS316
7	Thrust washer	50%SS + 50%PTFE
8	Stem seal	PTFE
9	Stem packing	PTFE
10	Gland	SS304
11	Belleville spring	SUS301
12	Travel stopper	SS304
13	Lock saddle washer	SS304

\*note: Alloy 20, Duplex 2205, hastelloy C and other special alloy upon request.

No	Part name	Material
14	Stem nut	SS304
15	Saddle nut	SS304
16	handle	SS304
17	Handle adapter	SS304
18	Body bolt	SS304
19	Anti-static device	SS316
20	Stop bolt	SS304
21	Stop nut	SS304
22	Locking device	SS304
23	Handle nut	SS304
24	O-ring	Viton
25	Handle	SS304
26	Handle sleeve	Vinyl

**Fire~Safe Type Materials List:**

No	Part name	Material
4	Ball seat	PTFE
5	Body seal	Graphite

No	Part name	Material
8	Stem seal	Graphite
9	Stem packing	Graphite

